

ANT-WCDMA-AHSM-04-2.5m Series

Five-band GSM/GPRS/EDGE/UMTS/HSPA, 4 dBi, omni-directional, magnetic base antennas



Features and Benefits

- High gain antenna
- Small size for easy installation
- Lightweight for portable deployment
- Magnetic base mount
- SMA connector (male) supported

Introduction

The ANT-WCDMA-AHSM-04-2.5m is an omni-directional lightweight compact five-band GSM/GPRS/EDGE/UMTS/HSPA magnetic-base antenna. The antenna provides a gain of 4 dBi and is designed to operate in temperatures from -30 to 75°C.

Specifications

Antenna Characteristics

Frequency	850/900/1800/1900/2100 MHz
Antenna Type	Omni-directional
Typical Antenna Gain	4 dBi
Connector	SMA (male)
Impedance	50 ohms
Polarization	Linear, Vertical
HPBW/Horizontal	360°
V.S.W.R.	< 2

Physical Characteristics

Weight	60 g (0.13 lb)
Length	110 mm (4.33 in)
Radome Color	Black
Radome Material	Plastic
Installation	Straight mount

Environmental Limits

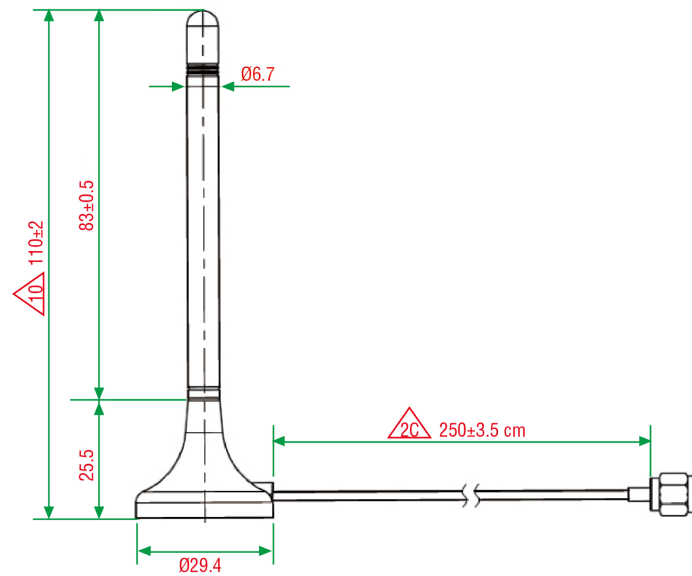
Operating Temperature	-30 to 75°C (-22 to 167°F)
Storage Temperature (package included)	-30 to 75°C (-22 to 167°F)
Ambient Relative Humidity	5 to 95% (30°C, non-condensing)

Warranty

Warranty Period	1 year
Details	See www.moxa.com/warranty

Dimensions

Unit: mm



Ordering Information

Model Name	Frequency	Antenna Type	Antenna Gain	Connector
ANT-WCDMA-AHSM-04-2.5m	850/900/1800/1900/2100 MHz	Omni-directional	4 dBi	SMA (male)

© Moxa Inc. All rights reserved. Updated Nov 12, 2018.

This document and any portion thereof may not be reproduced or used in any manner whatsoever without the express written permission of Moxa Inc. Product specifications subject to change without notice. Visit our website for the most up-to-date product information.